

*Providing the World Bulk Material Handling Industry
with Productive, Safe and Reliable "Complete Conveyor Solutions."*



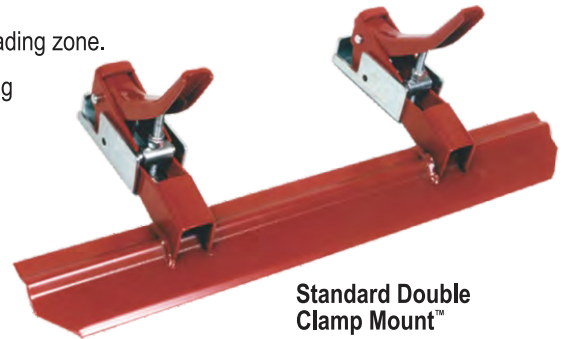
Skirt and Dust Control Sealing Systems





Clamp Mount™ Skirt Sealing System

- **Increase Conveyor Performance** - by helping to eliminate spillage and dust in the loading zone.
- **Reduce Downtime** - by the simple clamp adjustment and release to allow repositioning or changing out skirting in minutes versus hours, without tools.
- **Rugged Construction** - of our 9" (225mm) high by 24" (600mm) long clamp provide effective locking ability for any type of skirting material.
- **Alternative Clamps** - include a stainless steel, a low-profile 6" (150mm), and an economical single clamp.



Standard Double Clamp Mount™



The ASGCO® Clamp Mount™ system can accommodate 20°, 35°, and 45° idlers.

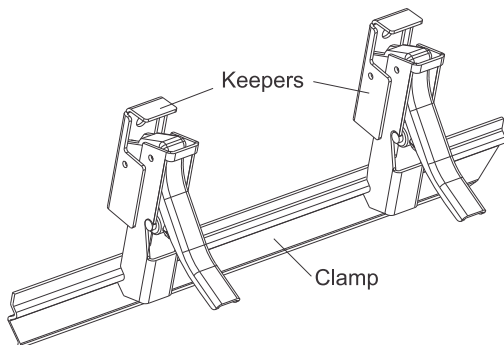


Stainless Steel Clamp Mount™



Low Profile Clamp Mount™

For quality sealing results, use Clamp Mount™ on a vertical chute wall with 1" ORG compound. For superior sealing, combine Clamp Mount™ with ASGCO's Support Plate and either ORG (3/4" or 1/2" thick) or 6" or 8" Tri-Seal™ or Multi-Seal™.

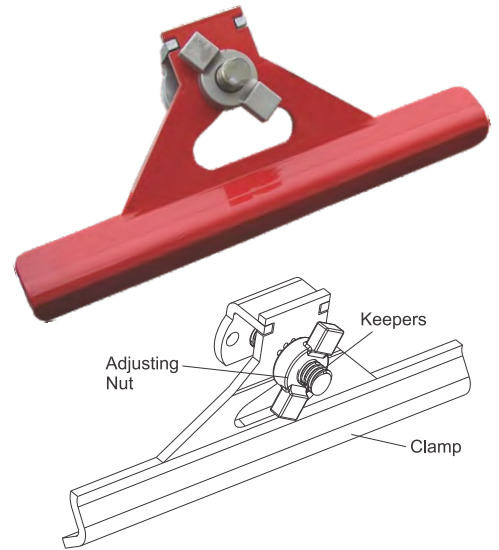


Clamp Mount™ System (Double Handle) with ASGCO® Skirting				
Part Number	Skirting Type Sealing Compound	Thick-ness	Width	Wt. Lbs.
ADS-ORG-2546-BC-2	Dura-Seal ORG Compound	1"	6"	6.22
ADS-ORG-2548-BC-2	Dura-Seal ORG Compound	1"	8"	7.06
ADS-ORG-1906-BC-2	Dura-Seal ORG Compound	3/4"	6"	5.69
ADS-ORG-1908-BC-2	Dura-Seal ORG Compound	3/4"	8"	6.31
ADS-ORG-1276-BC-2	Dura-Seal ORG Compound	1/2"	6"	5.13
ADS-ORG-1278-BC-2	Dura-Seal ORG Compound	1/2"	8"	5.54
ADS-B&R-2546-BC-2	Dura-Seal B & R Compound	1"	6"	6.3
ADS-B&R-2548-BC-2	Dura-Seal B & R Compound	1"	8"	7.16
ATS-TRI-2546-SC-2	TRI-SEAL 60 DURO	1"	6"	5.7
ATS-TRI-2548-SC-2	TRI-SEAL 60 DURO	1"	8"	6.3
AMS-MTI-2228-SC-2	Multi-Seal 55 Duro	7/8"	8"	6.5
AMS-MTI-2228-SC-2-EP	Multi-Seal EPDM (400)	7/8"	8"	6.5

Clamp Mount™ Skirt Sealing System/Sealing Compounds

Clamp Mount™ MDX (Mine Duty)

- **Increase Conveyor Performance** – by helping to eliminate spillage and dust in the loading zone.
- **Reduce Downtime** – by the simple clamp adjustment and release to allow repositioning or changing out skirting in minutes versus hours, without tools.
- **Mine Duty Construction** – 18" or 24" heavy duty clamp system with keeper, fabricated from 3/8" thick steel.
- **Easy Adjustment** – Patent pending adjustment nut is cast stainless steel.
- **Versatile** – Can be used with any of ASGCO® sealing compounds.
- **Keeper & Nut Feature** – The keeper and nut features a 1" Acme thread which can be adjusted by using a hammer or a wrench.



Clamp Mount™ System (Double Handle) with ASGCO® Skirting				
Part Number	Skirting Type Sealing Compound	Thickness	Width	Wt. Lbs.
ADS-ORG-2546-BC-2	Dura-Seal ORG Compound	1"	6"	6.22
ADS-ORG-2548-BC-2	Dura-Seal ORG Compound	1"	8"	7.06
ADS-ORG-1906-BC-2	Dura-Seal ORG Compound	3/4"	6"	5.69
ADS-ORG-1908-BC-2	Dura-Seal ORG Compound	3/4"	8"	6.31
ADS-ORG-1276-BC-2	Dura-Seal ORG Compound	1/2"	6"	5.13
ADS-ORG-1278-BC-2	Dura-Seal ORG Compound	1/2"	8"	5.54
ADS-B&R-2546-BC-2	Dura-Seal B & R Compound	1"	6"	6.3
ADS-B&R-2548-BC-2	Dura-Seal B & R Compound	1"	8"	7.16
ATS-TRI-2546-SC-2	TRI-SEAL 60 DURO	1"	6"	5.7
ATS-TRI-2548-SC-2	TRI-SEAL 60 DURO	1"	8"	6.3
AMS-MTI-2228-SC-2	Multi-Seal 55 Duro	7/8"	8"	6.5
AMS-MTI-2228-SC-2-EP	Multi-Seal EPDM (400)	7/8"	8"	6.5



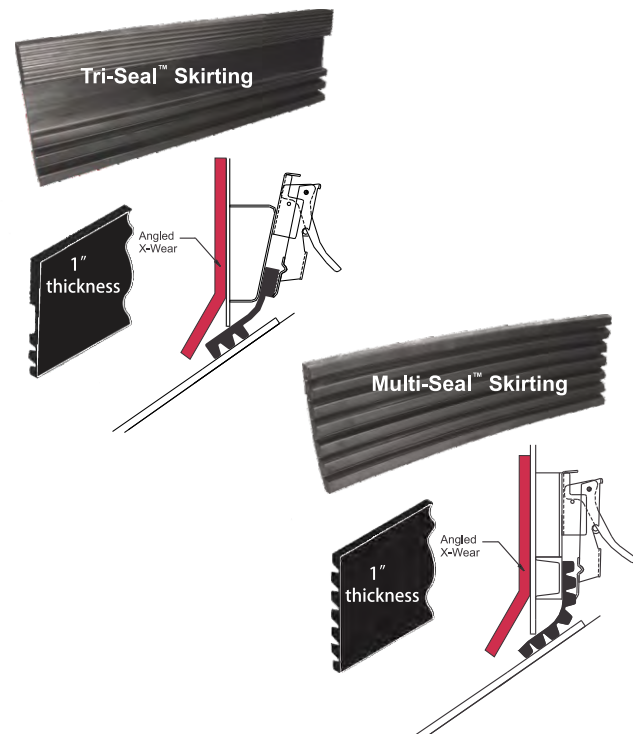
Tri-Seal™ and Multi-Seal™

Tri-Seal™ Skirting

- **Triple Sealing** - action uses 3 deterrents to stop fines and dust from escaping the load zone.
- **Works Great** - on conveyors where dust is a problem, in below ground and above ground mining, pulp and paper.

Multi-Seal™ Skirting

- **Multiple Sealing** - action is adjustable, and can be reversed for the full life of the skirting material.
- **Works Great** - where you need flexibility and dust is a problem.



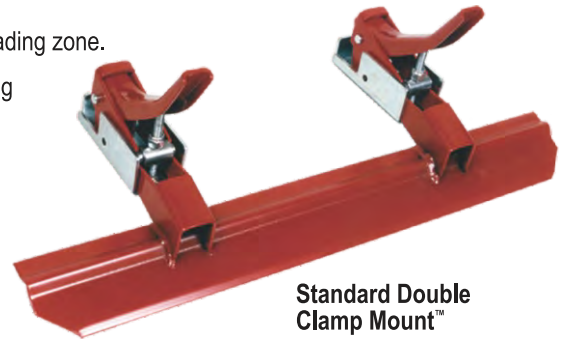
Tri-Seal and Multi-Seal Replacement Sealing Compounds				
Part Number	Skirting Type Sealing Compound	Thickness	Width	Wt. Lbs.
ATS-TRI-2546-S	Tri-seal (60) Durometer	1"	6"	1.77
ATS-TRI-2548-S	Tri-Seal (60) Durometer	1"	8"	2.4
AMS-MTI-2228-S	Multi-Seal 55 Duro	7/8"	8"	2.5
AMS-MTI-2228-S-EPDM	Multi-Seal 55 Duro EPDM	7/8"	8"	2.5
ASG-DCI-8	DCI Replacement Skirting	3/8"	8"	2.4

6" and 8" wide by 50' rolls are available on all styles of skirting.

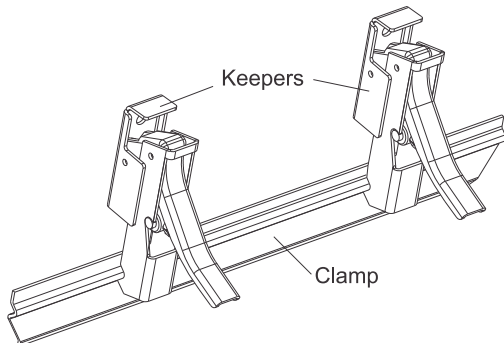


Clamp Mount™ Skirt Sealing System

- **Increase Conveyor Performance** - by helping to eliminate spillage and dust in the loading zone.
- **Reduce Downtime** - by the simple clamp adjustment and release to allow repositioning or changing out skirting in minutes versus hours, without tools.
- **Rugged Construction** - of our 9" (225mm) high by 24" (600mm) long clamp provide effective locking ability for any type of skirting material.
- **Alternative Clamps** - include a stainless steel, a low-profile 6" (150mm), and an economical single clamp.



For quality sealing results, use Clamp Mount™ on a vertical chute wall with 1" ORG compound. For superior sealing, combine Clamp Mount™ with ASGCO's Support Plate and either ORG (3/4" or 1/2" thick) or 6" or 8" Tri-Seal™ or Multi-Seal™.



Clamp Mount™ System (Double Handle) with ASGCO® Skirting				
Part Number	Skirting Type Sealing Compound	Thick-ness	Width	Wt. Lbs.
ADS-ORG-2546-BC-2	Dura-Seal ORG Compound	1"	6"	6.22
ADS-ORG-2548-BC-2	Dura-Seal ORG Compound	1"	8"	7.06
ADS-ORG-1906-BC-2	Dura-Seal ORG Compound	3/4"	6"	5.69
ADS-ORG-1908-BC-2	Dura-Seal ORG Compound	3/4"	8"	6.31
ADS-ORG-1276-BC-2	Dura-Seal ORG Compound	1/2"	6"	5.13
ADS-ORG-1278-BC-2	Dura-Seal ORG Compound	1/2"	8"	5.54
ADS-B&R-2546-BC-2	Dura-Seal B & R Compound	1"	6"	6.3
ADS-B&R-2548-BC-2	Dura-Seal B & R Compound	1"	8"	7.16
ATS-TRI-2546-SC-2	TRI-SEAL 60 DURO	1"	6"	5.7
ATS-TRI-2548-SC-2	TRI-SEAL 60 DURO	1"	8"	6.3
AMS-MTI-2228-SC-2	Multi-Seal 55 Duro	7/8"	8"	6.5
AMS-MTI-2228-SC-2-EP	Multi-Seal EPDM (400)	7/8"	8"	6.5

Skirting & Dust Control

E-Z Mount®

- **Simple and Effective** - solution to help eliminate dust and material losses in the load zone.
- **Abrasion Resistant** - 60 durometer rubber compound is used to apply minimal pressure to the belts surface to create a great seal.
- **Solid Framework** - using solid galvanized steel mounting rails that get welded to the side of the chute provides the framework to snap the E-Z Mount® into place.

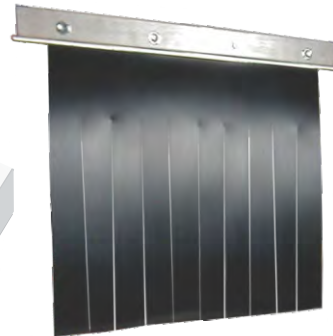
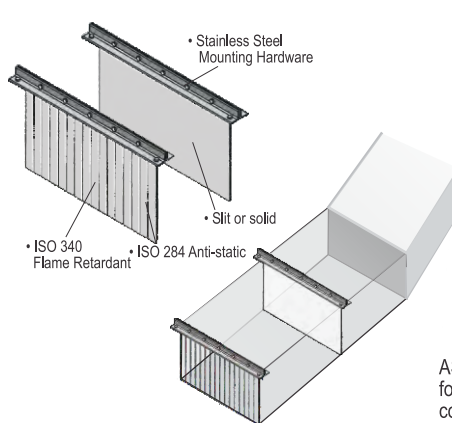
EZ-Mount® Channel System			
Part Number	Wt. Lbs.	Description	Thickness
EZ-Mount® Double Channel System			
AEM-EZM-0958-SCH-2	6	Double Channel System	3/8"
EZ-Mount® Single Channel System			
AEM-EZM-0958-SCH-1	2	Single Channel	3/8"
EZ-Mount® Replacement Rubber			
AEM-EZM-0958-S	91	Rubber Only	3/8"



Dust Curtains

- **Allows Dust to Settle** - by slowing the air velocity down and allowing the airborne dust and particles to fall to the belt.
- **ISO 340 Anti-Static / ISO 284 Flame Retardant** - materials are used in the PVC and 2 ply fabricate constructed curtains.
- **Simple Adjustment** - and installation allows the curtains to conform to the angle of repose of the material on the belt, normally 1" above the material.

Dust Curtains		
Part Number	Belt Width	Wt. Lbs.
ASG-DUST-CURT-18	18	10
ASG-DUST-CURT-24	24	13
ASG-DUST-CURT-30	30	17
ASG-DUST-CURT-36	36	20
ASG-DUST-CURT-42	42	23
ASG-DUST-CURT-48	48	27
ASG-DUST-CURT-54	54	30
ASG-DUST-CURT-60	60	33
ASG-DUST-CURT-72	72	39
ASG-DUST-CURT-84	84	46
ASG-DUST-CURT-96	96	52

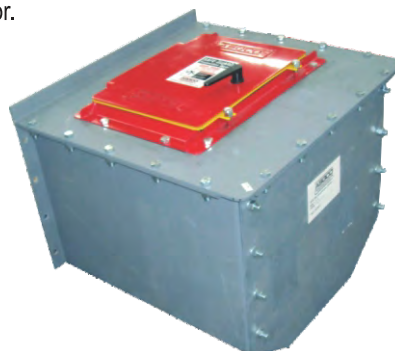
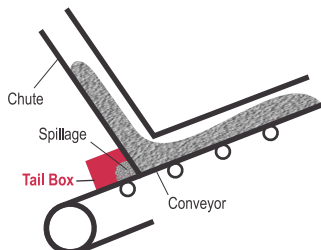


ASGCO® Curtains should be hung approx. 18" apart, forming "dead" areas where dust can settle and be collected or suppressed. Available in all belt widths.

Chute Tail Box

- **Prevents Material Rollback** - by forming a sealing area for the material to collect and then travel up the conveyor.
- **Avoids Material Build-Up** - at the tail end of the conveyor.
- **Simplifies Cleanup** - by being able to return material to the belt through our inspection door mounted at the top of the box.

Forms Effective Seal At Back Of Loading Zone To Prevent Material Rollback Off The Conveyor



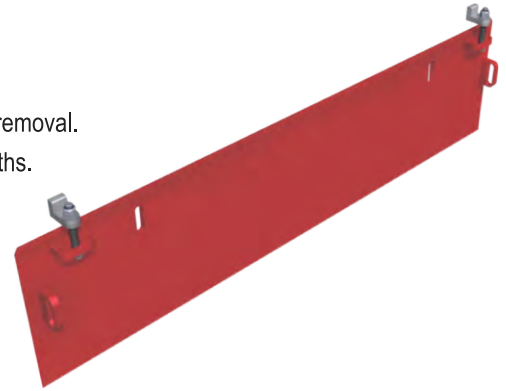
Tail Box		
Part Number	Belt Width	Wt. Lbs.
M-ASG-TBOX-18	18	127
M-ASG-TBOX-24	24	141
M-ASG-TBOX-30	30	162
M-ASG-TBOX-36	36	180
M-ASG-TBOX-42	42	198
M-ASG-TBOX-48	48	206
M-ASG-TBOX-54	54	368
M-ASG-TBOX-60	60	398
M-ASG-TBOX-72	72	478
M-ASG-TBOX-84	84	560
M-ASG-TBOX-96	96	637

Skirt & Dust Control Sealing Systems



External Wear Liners

- **Safer Installation** - and maintenance - prevents confined space entry.
- **Easily Adjusted** - the external adjustable bolt-on system allows for ease of adjustment and safe removal.
- **External Wear Liners** - available in Mild Steel, AR 400 Steel or Stainless Steel in 4ft and 6ft lengths. Also available with external Clamp Mount™ options.
- **Reduces Conveyor Downtime** - improves the performance of the liners and sealing system without additional costs.
- **Retrofit** - to existing skirtboard and or added to new.
- **Internal Wear Liners** - available in Armorite®, X-Wear™ Mine Duty, X-Wear™ Ceramic and X-Wear™ AR 400 Steel.



Clamp Mount™ Skirt Sealing Systems

Eliminate Spillage, Dust and Fines at TransferPoints

Our Clamp Mount™ skirting clamps helps eliminate spillage and dust in the conveyor transfer point. The Clamp Mount™ installs easily and allows for one person to replace or reposition skirt rubber.

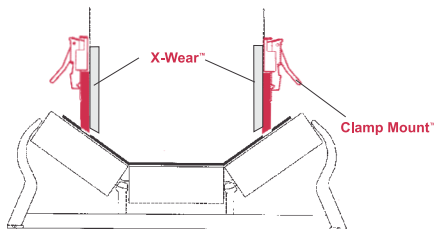
Increase Conveyor Performance – by helping to eliminate spillage and dust in the loading zone.

Reduce Downtime – by the simple clamp adjustment and release to allow repositioning or changing out skirting in minutes verses hours, without tools.

- Provides Highly Reliable, Positive Seal
- Slashes Clean-up Costs
- Reduces Material Waste
- Improves Safety
- Reduces Damage to Belts/Components
- Provides Easy Installation/Adjustment

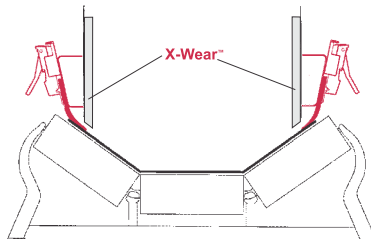
GOOD WAY

Double Clamp Mount™ system mounted vertically with 1" thick Dura-Seal™ or B & R Dura-Seal™ compound.



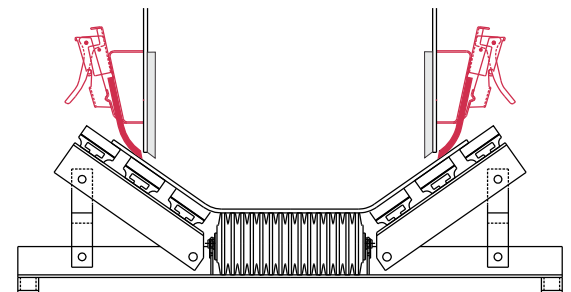
BETTER WAY

Angled Support Plate combined with 3/4" thick Dura-Seal™, Tri-Seal™ or Multi-Seal™ provides an excellent seal.



BEST WAY

For the ultimate in prevention of material loss, replace idlers with ASGCO® Slide-N-Roll™ Bed.



Customer Service
800-344-4000 or
610-821-0216



www.asgco.com

301 Gordon Street
Allentown, PA 18102
610-821-0216
FAX 610-778-8991