

# MODULAR IMPACT BEDS

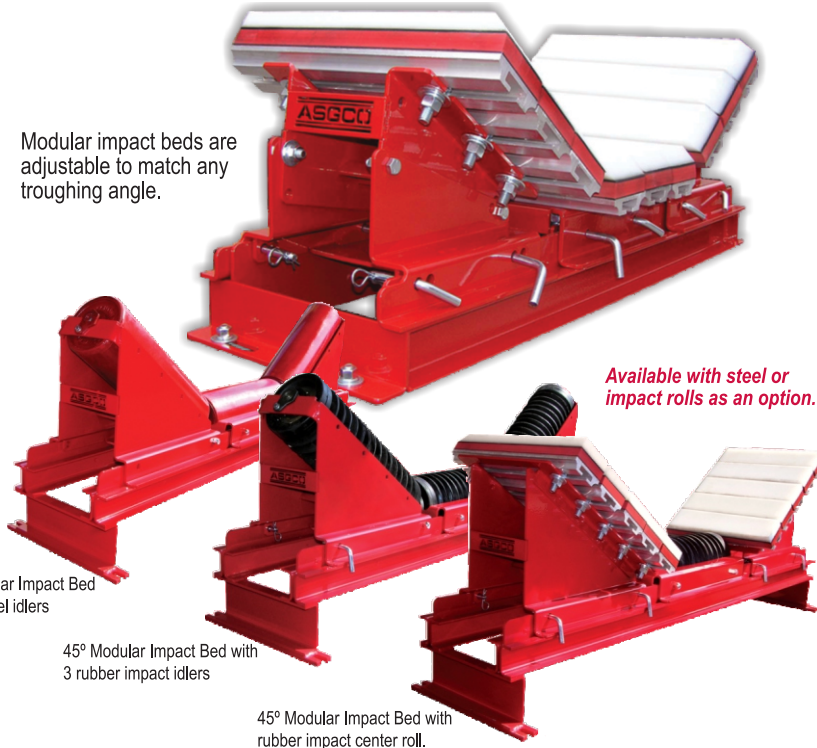
*Modular Design Allows for Easy Maintenance*



ASGCO's **Modular Impact Beds** are 18" long by belt width and are designed for easy change out and maintenance. By simply loosening two pins per segment you can remove the center portion of the bed from either side of the conveyor. ASGCO's impact bars allow tightest segment fit in the industry, eliminating potential material from getting caught in between the bars.

- **Provide for Load Support** - while helping to eliminate spillage in the load zone.
- **Only Manufacturer Providing Super Absorbent ORG Rubber** - that is 40 Durometer and can really take the shock of large material.
- **Superior Resistance Against Impact** - with two 3" channel cross support members on all impact beds.
- **Multiple 18" Beds** - can be assembled to make 18", 36", 54", etc.
- **Adjustable Wings** - to match any troughing angle. (20°, 35°, 45°)

Modular impact beds are adjustable to match any troughing angle.



45° Modular Impact Bed with 3 steel idlers

45° Modular Impact Bed with 3 rubber impact idlers

45° Modular Impact Bed with rubber impact center roll.

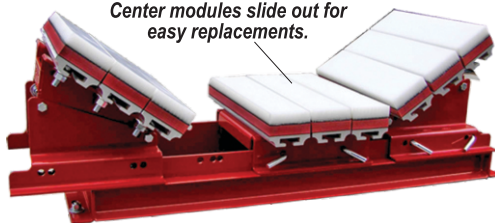
*Available with steel or impact rolls as an option.*

## It's as easy as 1-2-3!

- Bolt cross-frame into conveyor
- Slide center section into center of cross-frame
- Slide 2 wing frames into each side
- Pin in place

**Installation is complete!**

*Center modules slide out for easy replacements.*



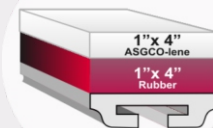
**Fast delivery - match us against the competition!**



Modular Impact Bed installed on this tail section and about to be put into service at this western US underground coal mine.



Modular Impact Beds installed on this coal handling conveyor at a major coal-fired power plant.

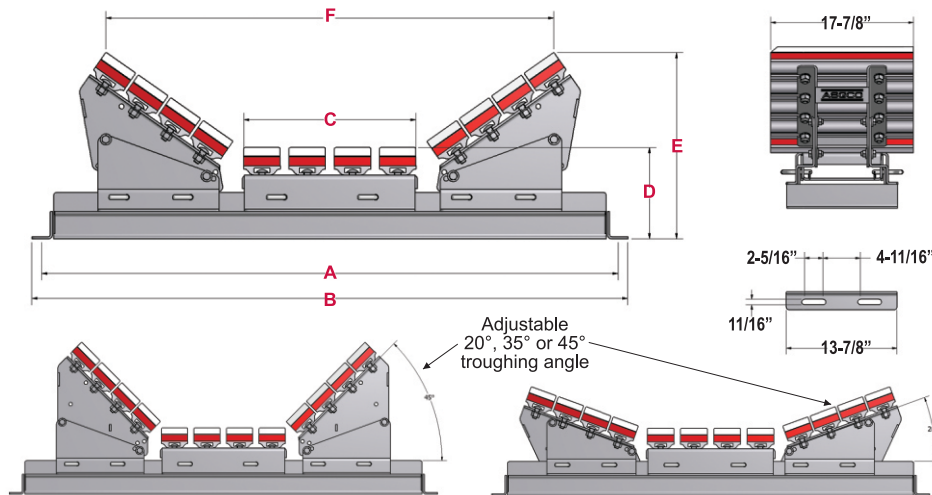


Available with steel or impact rolls as an option. Center module can be made with rollers.

Providing the World Material Handling Industry with Productive, Safe and Reliable "Complete Conveyor Solutions."

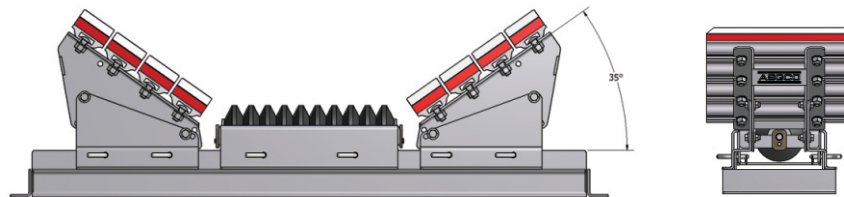
301 Gordon Street . Allentown, PA 18102 . 1-800-344-4000 . Fax: 610-778-8991 . www.asgco.com

## Modular Impact Bed Part Numbers



## Modular Impact Idler Bed

BW (in)	Part Number	Dimensions (in)									
		A	B	C	D	E			F		
						20	35	45	20	35	45
24	M-MIB-24-6-18-2-#	33	35.5	8.88	9.25	12.45	14.45	15.67	26.75	24.31	22.07
30	M-MIB-30-6-18-2-#	39	41.5	10.31	9.63	12.79	14.84	16.01	30.32	27.94	25.56
36	M-MIB-36-9-18-2-#	45	47.5	12.88	9.63	13.96	16.87	18.57	37.29	34.07	31.37
42	M-MIB-42-9-18-2-#	51	53.5	14.88	9.63	14.47	17.70	19.58	41.94	38.50	35.28
48	M-MIB-48-12-18-2-#	57	59.5	16.88	10.00	15.79	19.66	21.89	49.31	45.31	41.61
54	M-MIB-54-12-18-2-#	63	65.5	18.88	10.00	16.22	20.38	22.77	53.44	49.06	44.81
60	M-MIB-60-15-18-2-#	69	71.5	20.88	10.00	17.26	22.08	24.80	61.19	55.97	51.45
72	M-MIB-72-18-18-2-#	81	83.5	24.88	10.38	18.94	24.69	28.01	72.54	66.61	61.04
84	M-MIB-84-21-18-2-#	93	95.5	28.88	10.38	20.31	26.98	30.84	84.13	77.15	70.69
96	M-MIB-96-24-18-2-#	105	107.5	32.88	10.75	22.05	29.66	34.05	95.64	87.71	80.34



## Modular Impact Bed with Center Roll

BW (in)	Part Number	Dimensions (in)									
		A	B	C	D	E			F		
						20	35	45	20	35	45
24	M-MIB-24-4-18-2-CD6*-#	33	35.5	9.06	9.25	12.45	14.45	15.67	26.75	24.31	22.07
30	M-MIB-30-4-18-2-CD6*-#	39	41.5	11.06	9.63	12.79	14.84	16.01	30.32	27.94	25.56
36	M-MIB-36-6-18-2-CD6*-#	45	47.5	13.06	9.63	13.96	16.87	18.57	37.29	34.07	31.37
42	M-MIB-42-6-18-2-CD6*-#	51	53.5	15.06	9.63	14.47	17.70	19.58	41.94	38.50	35.28
48	M-MIB-48-9-18-2-CD6*-#	57	59.5	17.06	10.00	15.79	19.66	21.89	49.31	45.31	41.61
54	M-MIB-54-9-18-2-CD6*-#	63	65.5	19.06	10.00	16.22	20.38	22.77	53.44	49.06	44.81
60	M-MIB-60-10-18-2-CD6*-#	69	71.5	21.06	10.00	17.26	22.08	24.80	61.19	55.97	51.45
72	M-MIB-72-12-18-2-CD6*-#	81	83.5	25.06	10.38	18.94	24.69	28.01	72.54	66.61	61.04
84	M-MIB-84-14-18-2-CD6*-#	93	95.5	29.81	10.38	20.31	26.98	30.84	85.89	77.15	70.69
96	M-MIB-96-16-18-2-CD6*-#	105	107.5	33.81	10.75	22.05	29.66	34.05	97.64	87.71	80.34

# - represents troughing angle \* - is replaced with S for steel or R for rubber

**NOTE:** All modular impact beds with optional (rubber impact or steel) center rolls are CEMA D, 6" diameter rolls unless specified.