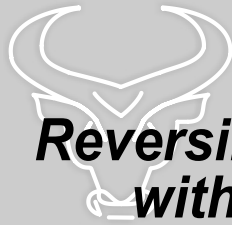


**ASGCO**

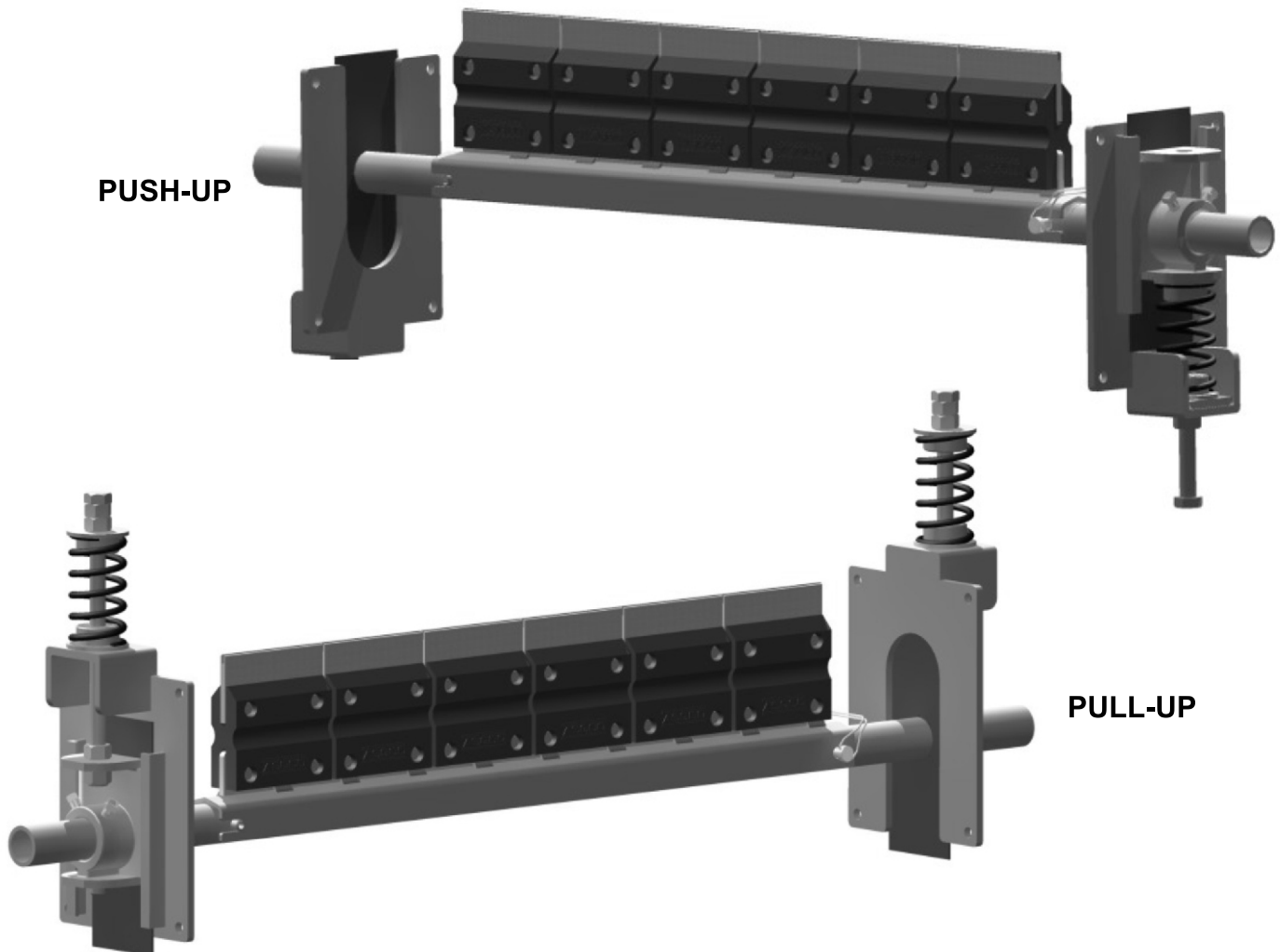
Complete Conveyor Solutions



**TORO**<sup>®</sup>

*Reversing Secondary Belt Cleaner  
with Duo-Spring Tensioner*

# INSTALLATION, OPERATION & MAINTENANCE INSTRUCTIONS



Check us out at  
[www.asgco.com](http://www.asgco.com)

Customer Service  
**800-344-4000**



ASGCO Mfg., Inc.  
301 Gordon Street  
Allentown, PA 18102  
610-821-0216  
FAX 610-778-8991

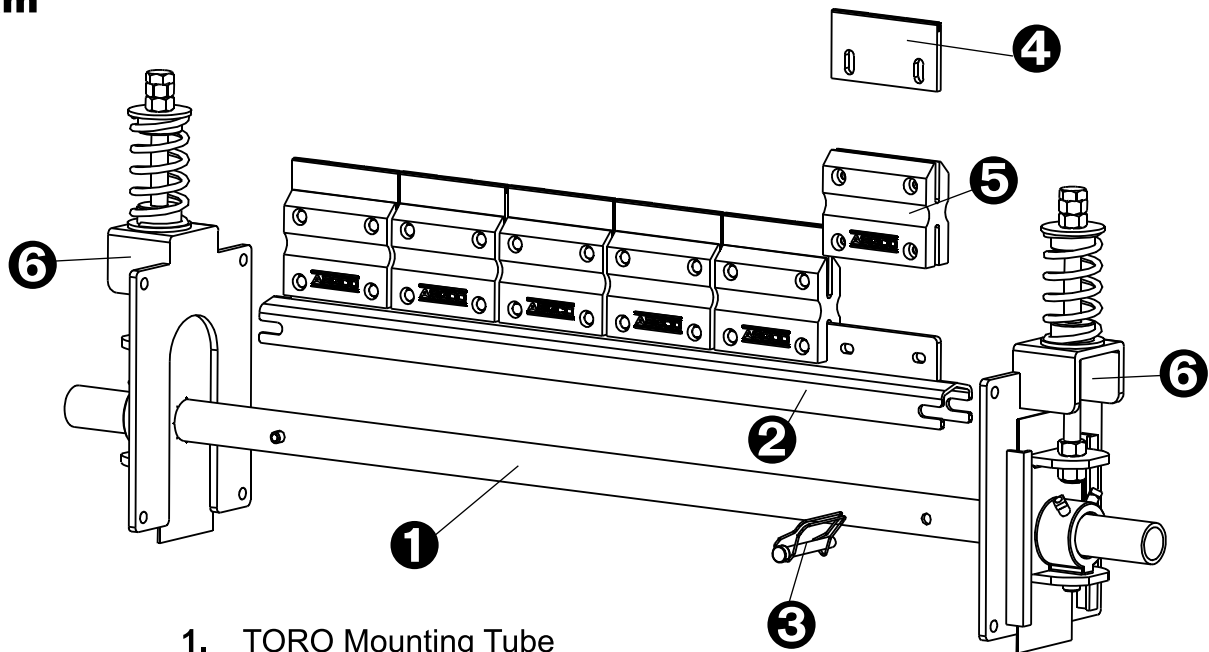
## Important Safety Notice

Always observe the basic rules of safety when working with any conveyor system. To avoid injury and equipment damage, be sure that all controls to the conveyor are locked out and the power source is disconnected at all times during installation and maintenance.

### Overall View

If mounting structure is not available, additional steel may have to be added. *Note: Excess mounting tube may be trimmed after installation.*

### Components Diagram

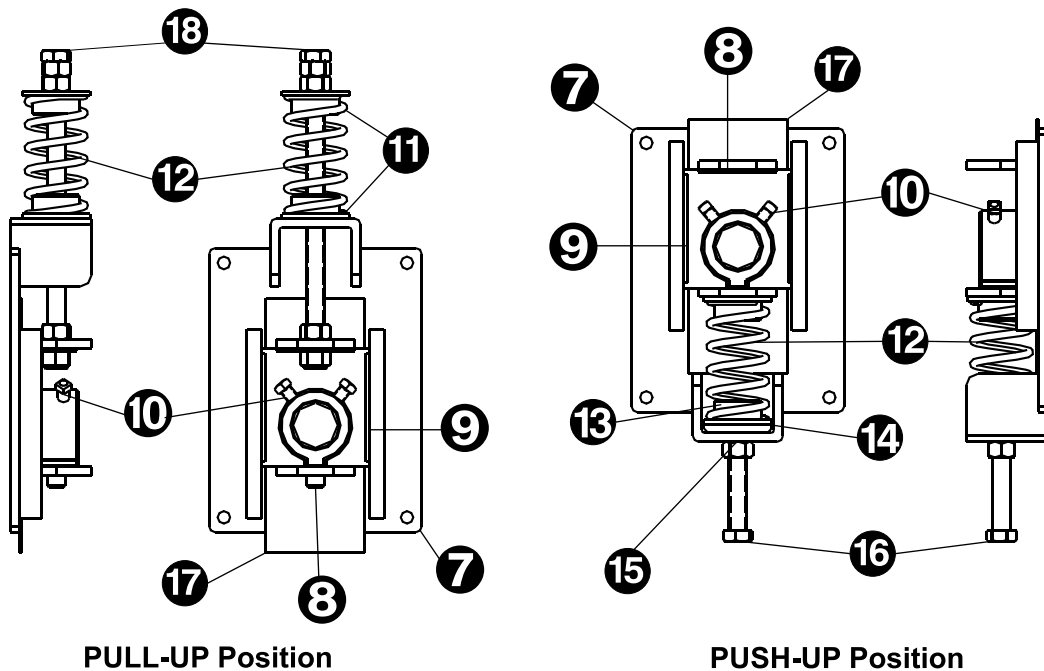


1. TORO Mounting Tube
2. TORO Blade Holder
3. Locking Pin
4. TORO Blade Tip (F-Tip, C-Tip)
5. TORO Blade Cushion or TORO Urethane Blade
6. Duo-Spring Tensioner (Pull-Up Position Shown)

### Determine Cleaner Mounting Location

The TORO is a reversing secondary belt cleaner and as such should be located on the return side of the belt after the belt leaves contact with the head pulley as shown below. Preferably it should be located within the confines of the head or dribble chute.

## Duo-Spring Tensioner Components



7. Mounting Bracket
8. Slide Block
9. Slider UHMW Insert
10. Set Screws
11. Thru-Hole Spring Bushing
12. Compression Spring (Light Duty - Red) (Heavy Duty - Silver)
13. Push-Up Spring Bushing
14. Threaded Push-Up Plate
15. ACME Lock Down Nut
16. Push-Up ACME Adjustment Bolt
17. Dust Shield
18. Pull-Up ACME Adjustment Bolt

## Determining Location of Cleaner

The TORO is a secondary belt cleaner and as such should be located on the return side of the belt after the belt leaves contact with the head pulley as shown below. Preferably it should be located within the confines of the head or dribble chute.

The Duo-Spring Tensioner can be mounted in either the Pull-Up Position or the Push-Up Position depending on the structure that the tensioner bracket will be mounted on and the surrounding components. See Figure 1.

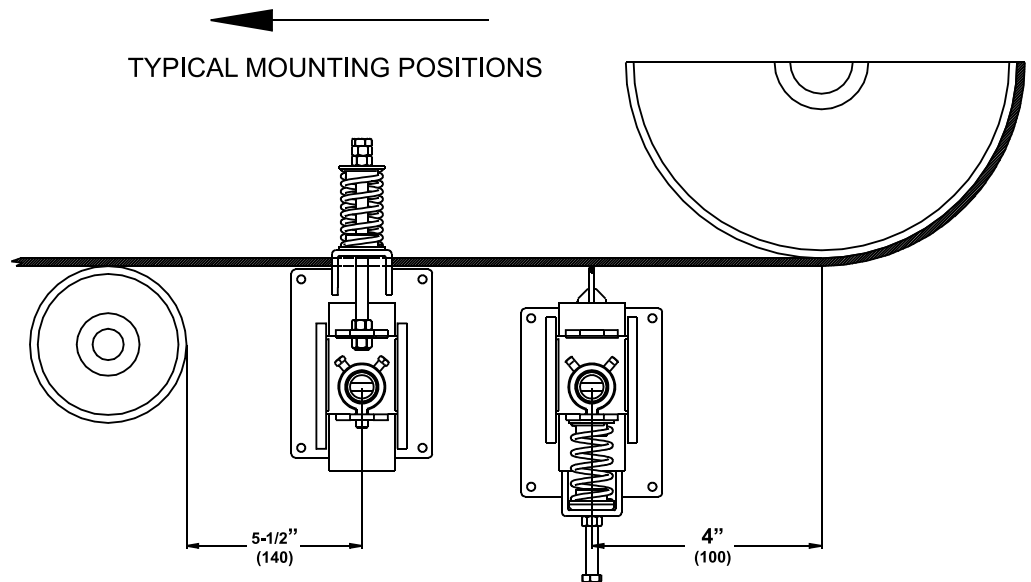


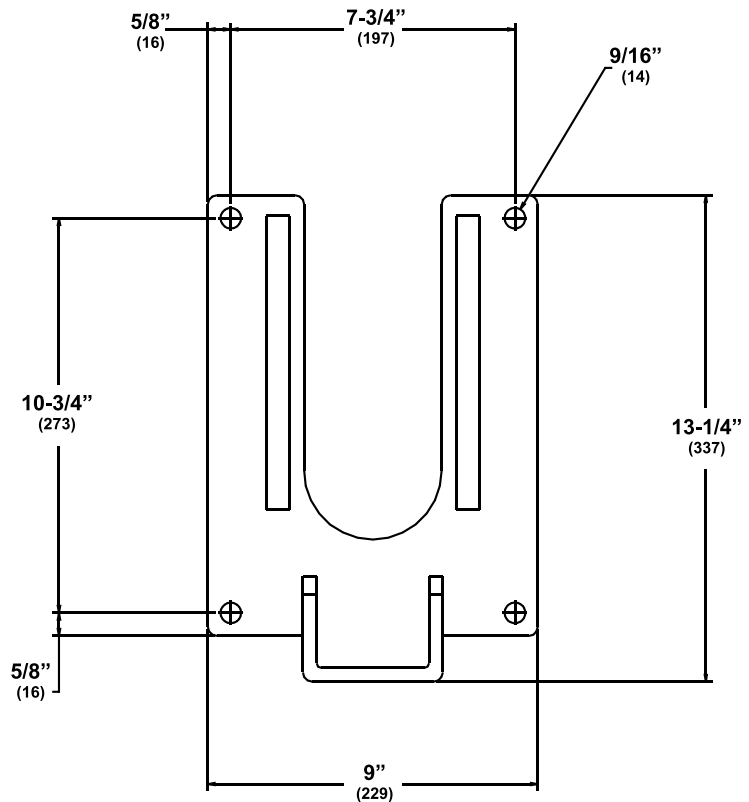
Figure 1. Typical Cleaner Mounting Locations

- The recommended clearance from the belt tangent point off the head pulley to the tip of the cleaner blade is 4 inches (100 mm).
- The recommended clearance between the center of the mounting tube and a snub pulley is 5 ½ inches (140 mm).

## Mounting Brackets

The Mounting Bracket should be attached to the chute wall or conveyor structure using the four mounting holes and ½ -13 UNC x 2 ½ inch hex head bolts. See Figure 2 for mounting hole dimensions.

The Mounting Brackets can also be welded in place. (Note: the Mounting Brackets are a Cast 304 Stainless Steel)



**Figure 2. Mounting Bracket Dimensions**

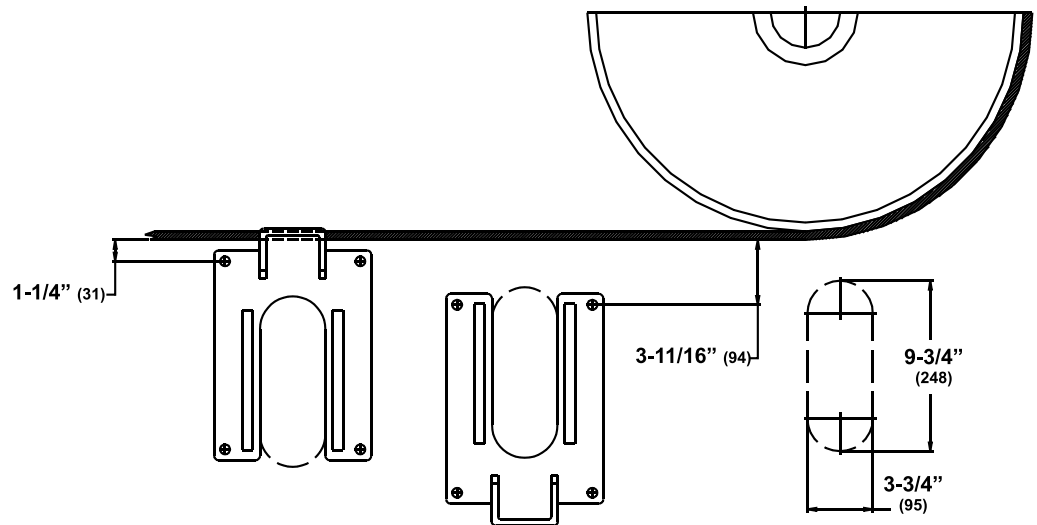
- To determine the desired location of the mounting brackets, locate the bottom edge of the belt. Then depending on spatial constraints, then choose between **Push-Up Position** or **Pull-Up Position**.

#### **A. Push-Up Position**

The center of the top mounting holes of the Mounting Bracket should be located 3-11/16" [94mm] below the bottom edge of the belt. *Refer to Figure 3.*

#### **B. Pull-Up Position**

The center of the top mounting holes of the Mounting Bracket should be located 1-1/4" [31mm] below the bottom edge of the belt. *Refer to Figure 3.*



**Figure 3. Mounting Bracket Height Locations for Pull-Up & Push-Up Positions**

- With the Mounting Bracket held in place, mark the location of the four mounting holes. Then using a 9/16" [14mm] drill bit or a torch, cut the four bolt holes into the conveyor chute or frame work.
- As noted above the Mounting Bracket can also be welded in place. (Note: the Mounting Brackets are a Cast 304 Stainless Steel)

## Cutting the Chute Openings

If the brackets are to be mounted to an enclosed chute, an elongated hole will have to be cut into the chute wall to allow the blades and the mounting tube to pass through from one side of the conveyor to the other. See *Fig. 3*.

- The Chute Opening slot should be located flush with the U-Shaped notch in the Mounting Bracket, as shown in *Figure 3*.

## Duo-Spring Tensioner Assembly

Assembly of the Duo-Spring Tensioner is shown in *Figure 4*. The left image is the Tensioner in Pull-Up Position and the right image is for the Tensioner in Push-Up Position. All the parts are provided to assemble the tensioner in either position. Duo-Spring position specific hardware is shown in *Figure 4*.

**Figure 4. Duo-Spring Tensioner Assembly:  
Pull-Up (left) and Push-Up (right) Tensioners**  
(see next page)

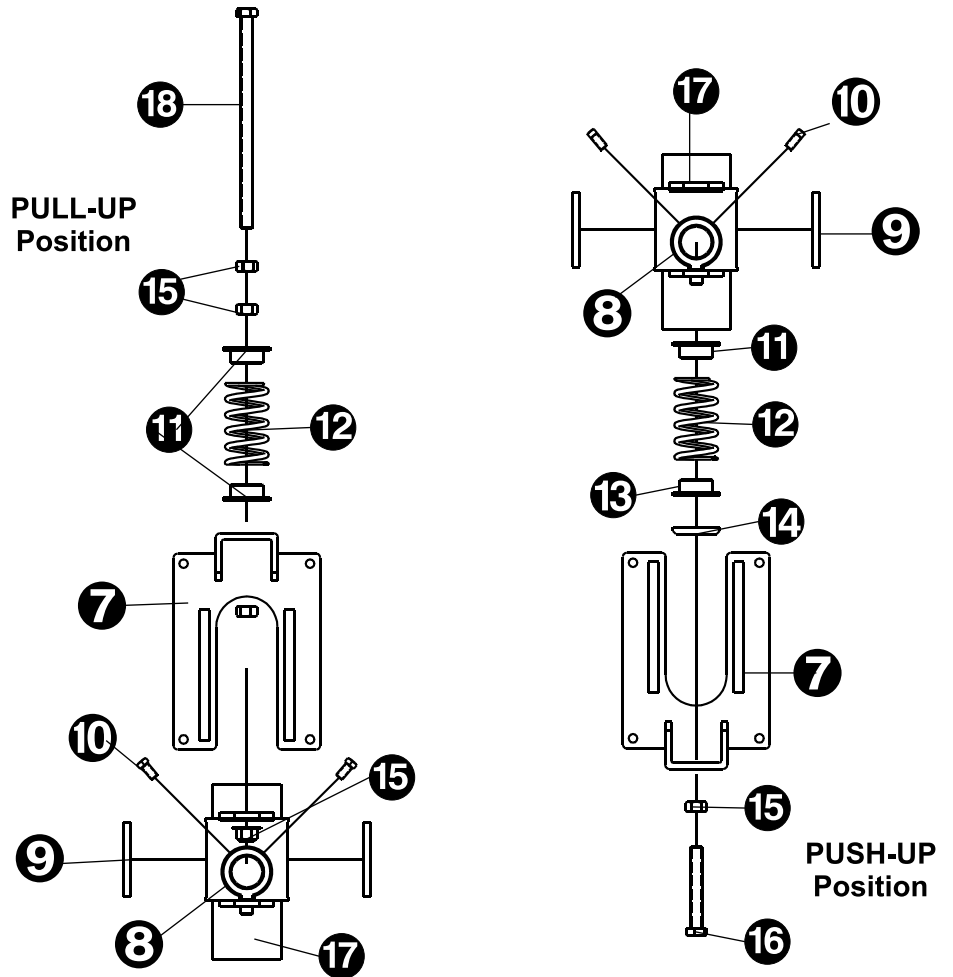


Figure 4. Duo-Spring Tensioner Assembly: Pull-Up (left) and Push-Up (right) Tensioners

### Duo-Spring Tensioner Mounting and TORO Installation

With the Mounting Brackets attached to each side of the structure, slide the Mounting Tube through the chute openings and into the far-side Slide-Block mounting collar. Then slide the near side Slide-Block in the Mounting Bracket. Now loosely tighten the 4 Square Head Set Screws to hold the Mounting tube from rotating. See Figure 5.

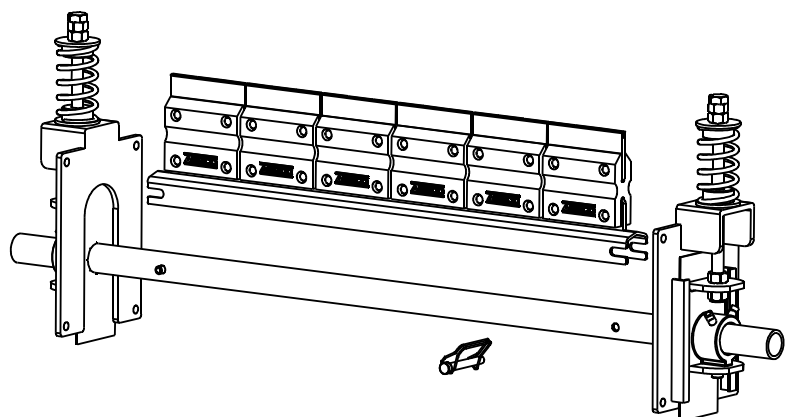
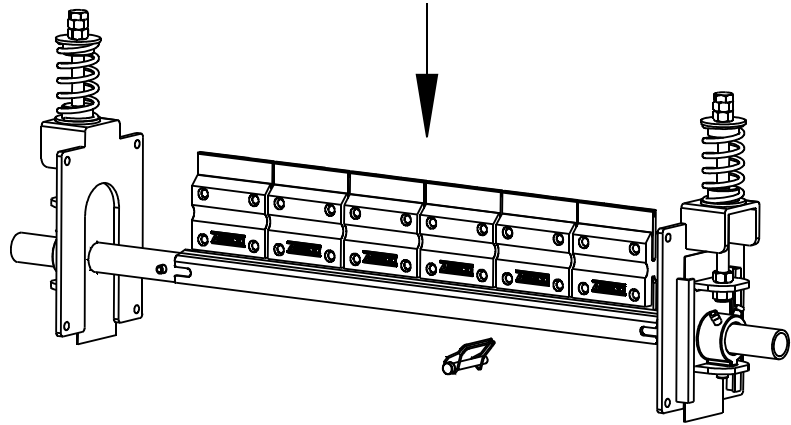


Figure 5. Mounting Bracket with Installed Mounting Tube

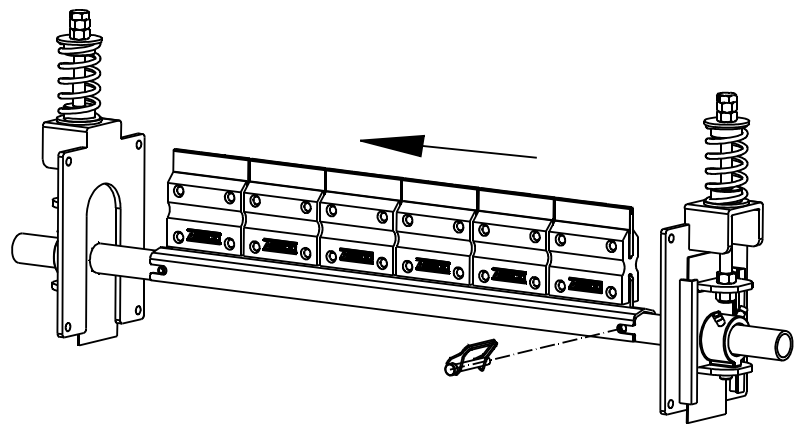
---

With the Mounting Tube in place now slide the Blade Holder with Cushions and Blades attached on to Mounting Tube. See Figure 6.



**Figure 6. Place Blade Holder onto Mounting Tube**

Now slide the Blade Holder with Cushions and Blades attached over the fixed pin on the opposite side of the Mounting Tube. Then insert the Locking Pin into the near side hole to fix the Blade Holder in place. See Figure 7.



**Figure 7. Slide Blade Holder into Position and Insert Locking Pin**

---

## **Blade Positioning and Alignment**

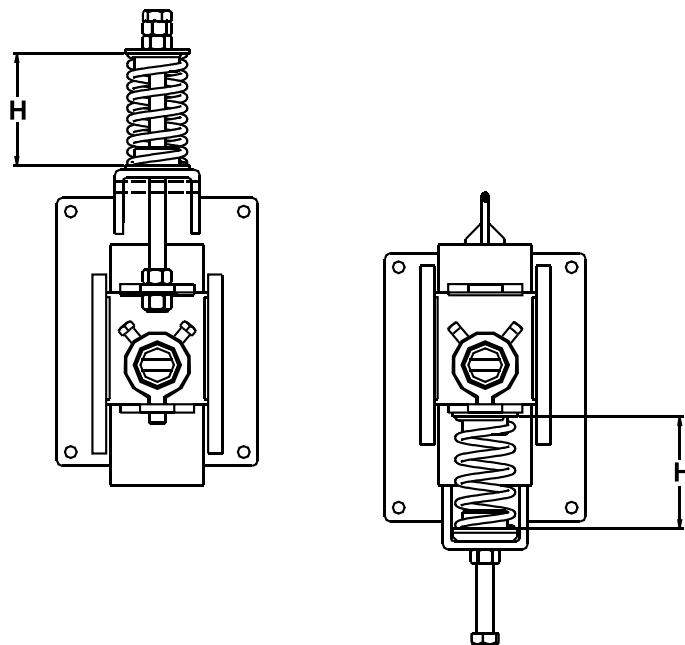
With the Mounting Tube and Blade Holder in position, align the Blade Tips so that they are perpendicular to the belt. Center the blade on the belt by sliding the support tube in the support tube collars. Firmly tighten the Square Head Set Screws (to 65-70 ft-lbs.) on the Slide Block collar to affix the rotation and translation of the Mounting Tube.

Raise the Slide Blocks by evenly turning the adjustment bolts until the blade just contacts the belt. Check that the blade is evenly contacting the belt along the entire length of the blade. Once uniform blade/belt contact has been achieved, evenly raise the Slide Blocks causing the spring to load. Continue to tighten until sufficient upward force (blade pressure) has been achieved see Table 1 below. Spring Height (H) is the suggested tension starting point See Figure 8. Firmly tighten the lock nut on the two adjustment bolts. It may be possible that there is enough play in the belt that there can be enough downward force via belt weight so that compressing the spring may not be necessary.

**Table 1. Duo-Spring Tensioner, Tension Chart**

Belt Width	Spring Height (H)	Spring Compression
18	4 3/4 [120mm]	1/4 [6mm]
24	4 11/16 [119mm]	5/16 [7mm]
30	4 5/8 [117mm]	3/8 [9mm]
36	4 9/16 [115mm]	7/16 [11mm]
42	4 1/2 [114mm]	1/2 [12mm]
48	4 11/16 [119mm]	5/16 [7mm]
54	4 5/8 [117mm]	3/8 [9mm]
60	4 9/16 [115mm]	7/16 [11mm]
72	4 1/2 [114mm]	1/2 [12mm]
84	4 7/16 [112mm]	9/16 [14mm]
96	4 3/8 [111mm]	5/8 [15mm]

**Note: Belt Widths of 48 inches and above use the Heavy Duty Silver Spring.**



**Figure 8. Spring Height (H) Measurement Location**

Test run the conveyor.

If chattering or vibration of the blade occurs, try increasing the Spring compression or rotating the Blade Tips slightly in the direction of belt travel (in 5 degree increments). Only in non-reversing applications.

---

## MAINTENANCE

### After one day of operation:

- 1.) Inspect the cleaner for proper belt cleaning and operation.

### Weekly:

- 1.) Frequent inspection is the key to proper belt cleaning and easy Scraper servicing. Weekly inspections are recommended, but actual service frequency may vary widely depending on various plant operating conditions.
- 2.) Wash the entire cleaner regularly to prevent excessive buildup. If material tends to accumulate on the Scraper Assembly then possible scraper relocation may be in order.
- 3.) Carefully inspect the wear tips of the cleaner blades. Make sure blades are not chipped or worn out. (Replace when necessary)
- 4.) Inspect the belt surfaces and edges for cracks, splits, tears, holes or any other worn or damaged condition occurring on the surfaces or edges of the belt itself. If necessary make repairs to the belt.

---

## REPLACEMENT AND RE-TENSIONING OF CLEANER BLADES

- 1.) Lower the Mounting Tube by loosening the Adjustment Bolt on both sides of the cleaner. This will disengage the cleaner blades from the belt.
- 2.) To remove the Blade Holder from the Mounting Tube, pull the Locking Pin from the Mounting Tube. Then slide the Blade Holder over and up to remove the Blade Holder with Cushions and Blades attached.
- 3.) Loosen and remove the nuts and washers holding the Blade Tips onto the TORO Cushion
- 4.) Remove the blade tips and discard.
- 5.) Position new Blade Tips on the TORO Cushions and reinstall the nuts and washers to hold the Blade Tips on to the TORO Cushions, making sure the Blade Tips are flush along the leading edge.
- 6.) Reinstall the Blade Holder with Cushions and New Blade tips to the Mounting Tube and reengage Blade Tips according to directions.

## TROUBLESHOOTING

<b>PROBLEM</b>	<b>SOLUTION</b>
<i>Excess vibration of the scraper.</i>	<p>Make certain all bolts are tight.</p> <p>If belt is non-reversing, rotate the blade about 5 degrees in the direction of the belt movement.</p>
<i>Excess carryback.</i>	<p>Check for proper Scraper tension. Put additional tension on cleaner.</p>
<i>Check for wear on the cleaning tips.</i>	<p>Check thickness of carryback. If the cleaner must remove more than about 1/8" of material then a precleaner may be needed.</p>
<i>Excess belt movement, cupping</i>	<p>Install a hold down roller to stabilize the belt surface.</p>
<i>Unable to tension scraper properly, belt moves away from blades.</i>	<p>Install a hold down roller to reduce sag of the belt when tensioning.</p>
<i>Frozen material on scraper.</i>	<p>Place heaters near scraper to melt frozen material. (Use caution not to burn belt or cleaner)</p>

## Information

Key	Description	Part Number
1	TORO Mounting Tube	ASG-RBMT-(BW) [BW]=Belt Width
2	TORO Blade Holder	ASG-RBBH-(BW)
3	Locking Pin	ASG-SSKMT-CL
4a	TORO C-Tip Blade	ASG-BLD-TORO-6-TC-C (Requires Rubber Cushion)
4b	TORO F-Tip Blade	ASG-BLD-TORO-6-AR (Requires Rubber Cushion)
5a	TORO Blade Cushion	ASG-BLD-TORO-6
5b	TORO Urethane Blade	ASG-BLD-TORO-UB
6	Duo-Spring Tensioner	
	12" - 42" Belt Width	M-ASG-RSS
	48" - 84" Belt Width	M-ASG-RSS-A

*Call your ASGCO Distributor for any questions or replacement parts*