

Conveyor Safety Equipment

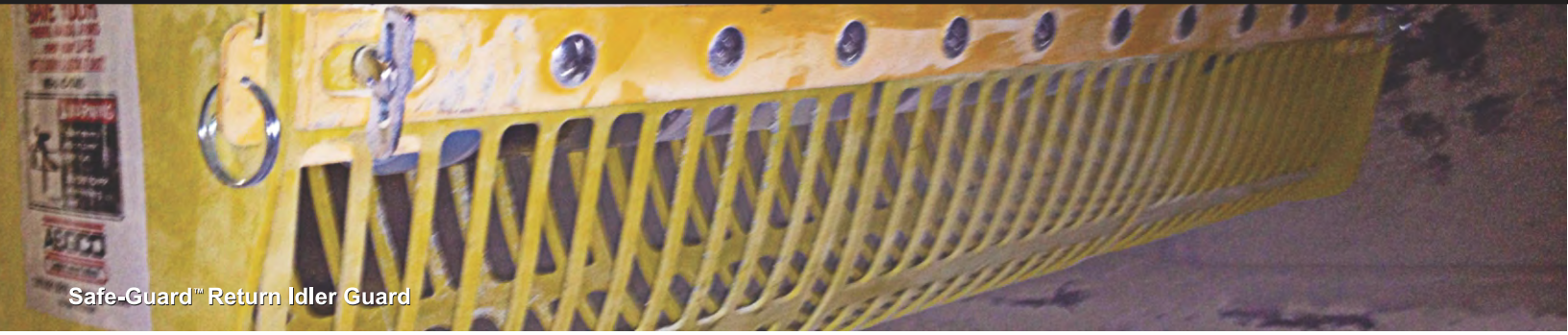


*Providing the World Bulk Material Handling Industry
with Productive, Safe and Reliable "Complete Conveyor Solutions."*



Conveyor Safety Equipment





Safe-Guard™ Return Idler Guard

Safe-Guard™ Return Idler Guard

ASGCO® has long recognized the importance of ensuring safety in the workplace. The patented ASGCO® **Safe-Guard™ Return Idler Guard** was designed to prevent injuries from pinch points and to catch the return idler if it should fall.

- **MSHA accepted # IC-174/3.**
- **Mounting Hardware** - made from powder coated A-36 steel. Retrofits to most CEMA return idler bolt patterns.
- **Complies with MSHA Title 30;**
 - 56.14110 (Flying or falling material)
 - 56.14112 (Guard Construction)
 - 56.14107 (Moving machine parts)
 - 75.1722 (Mechanical equipment guards)
 - 77.400 (Mechanical equipment guards)
- **Meets OSHA Requirements 1910.219** - for mechanical power - transmission apparatus and 56.14107 for moving machine parts.
- **UV Resistant.**
- **Durable UHMW Slotted Cage** - helps prevent material buildup and is easy to clean out using stainless steel fast pins to be able to drop and open side of the cage for maintenance.
- **Universal Mounting Brackets** - can be used with CEMA B, C, D and E idlers up to 4", 5", 6" & 7" in diameter with either 1 ½" to 6" drop brackets.

Recommended for any idler location under 7ft. or where the idler could become a hazard from incidental contact.

Prevent Injuries!



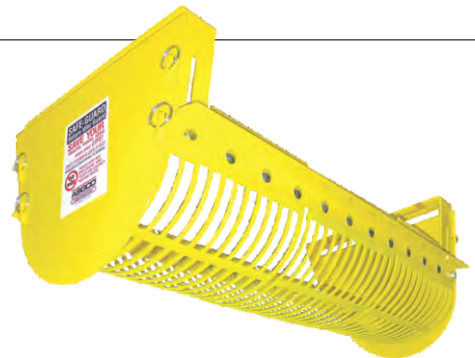
Safe-Guard™ Return Idler Guard		
Part Number	Belt Width	Wt Lbs.
M-ASG-RRG-18	18"	12
M-ASG-RRG-24	24"	14
M-ASG-RRG-30	30"	16
M-ASG-RRG-36	36"	18
M-ASG-RRG-42	42"	20
M-ASG-RRG-48	48"	22
M-ASG-RRG-54	54"	24
M-ASG-RRG-60	60"	26
M-ASG-RRG-72	72"	30
M-ASG-RRG-84	84"	33

Heavy Duty Safe-Guard™ CEMA E & F

The ASGCO® **Safe-Guard™** line that works on CEMA B, C, and D series idlers up to 7" in diameter, has now been expanded to include CEMA E & F return rollers.

- **MSHA Accepted - #MSHA IC - 174/3.**
- **Angled cross supports** - more robust design prevents bending.
- **Sized to fit** - over your CEMA E & F return roller brackets.
- **Fully adjustable** - for idler sizes and belt widths up to 96".
- **Mounting Hardware** - brackets and end plates made from powder coated A-36 steel.

Safe-Guards™ can now be installed around Tru-Trainers®. This is the only Training Idler Guard on the market!!



Heavy Duty Safe-Guard™ Return Idler Guard for CEMA E & F		
Part Number	Belt Width	Wt Lbs.
M-ASG-RRG-HD-48	48	39
M-ASG-RRG-HD-54	54	45
M-ASG-RRG-HD-60	60	50
M-ASG-RRG-HD-72	72	60
M-ASG-RRG-HD-84	84	70
M-ASG-RRG-HD-96	96	80

ASGCO® Conveyor Safety Equipment

Safe-Guard™ Return Idler Cage

The ASGCO® **Safe-Guard™ Return Idler Cage** was designed to catch the return roller applications from falling, preventing injuries to workers and to equipment. The Safe-Guard™ Idler Cage is a cost effective, long lasting solution to your conveyor guarding needs.

- **Prevents Idlers from Falling** - and injuring workers or equipment.
- **Easy to Install and Remove** - for fast installation and belt maintenance using beam clamp, links and adjustable chain.
- **Complies with MSHA Title 30.**
- **Meets OSHA Requirements 1910.219** - for mechanical power - transmission apparatus and 56.14107 for moving machine parts.
- **Durable Powder Coated A-36 Steel Cage** - helps prevent injuries from falling idlers onto unsuspecting workers or equipment. Open slots prevent material build-up.
- **Available in Various Sizes** - to fit most belt conveyors, 4" - 7" diameter rolls.
- **No Welding Required.**

Recommended for any location over 7ft. where a failed idler could fall on workers or equipment, walkways, roads, etc.

Heavy Duty Cage to guard tracking idlers.



Catches the return idler if it falls!

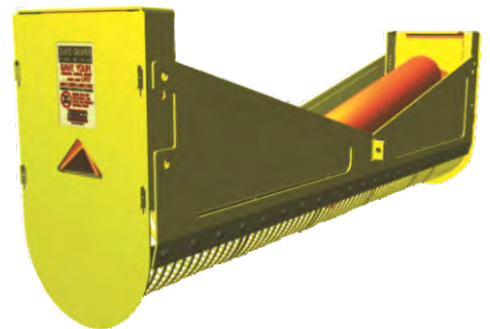


Safe-Guard™ Return Idler Cage		
Part Number	Belt Width	Cage Length
M-ASG-RIC-18	18"	28-7/8"
M-ASG-RIC-24	24"	34-7/8"
M-ASG-RIC-30	30"	40-7/8"
M-ASG-RIC-36	36"	46-7/8"
M-ASG-RIC-42	42"	52-7/8"
M-ASG-RIC-48	48"	58-7/8"
M-ASG-RIC-54	54"	64-7/8"
M-ASG-RIC-60	60"	70-7/8"
M-ASG-RIC-72	72"	82-7/8"
M-ASG-RIC-84	84"	94-7/8"
M-ASG-RIC-90	90"	100-7/8"
M-ASG-RIC-96	96"	106-7/8"

Safe-Guard™ V-Return Idler Guard

The ASGCO® **Safe-Guard™ V-Return Idler Guard** fits standard v-return idlers and protects workers and equipment from falling idlers and from dangerous pinch points between rotating idlers and moving belt.

- **Protects workers** - from coming into contact with moving parts on a V-Return Idler Guard.
- **MSHA accepted # IC-174/3.**
- **Mounting Hardware** - made from powder coated A-36 steel.
- **Complies with MSHA Title 30;**
MSHA accepted # IC-174/3
56.14110 (Flying or falling material)
56.14112 (Guard Construction)
56.14107 (Moving machine parts)
75.1722 (Mechanical equipment guards)
77.400 (Mechanical equipment guards)
- **UV Resistant.**
- **Durable UHMW slotted cage** - helps prevent material buildup and is easy to clean out using stainless steel fast pins to be able to drop and open side of the cage for maintenance.



Safe-Guard™ V-Return Roll (Idler) Guard	
Part Number	Belt Width
M-ASG-RRG-V-24	24
M-ASG-RRG-V-30	30
M-ASG-RRG-V-36	36
M-ASG-RRG-V-42	42
M-ASG-RRG-V-48	48
M-ASG-RRG-V-54	54
M-ASG-RRG-V-60	60
M-ASG-RRG-V-72	72
M-ASG-RRG-V-84	84
M-ASG-RRG-V-96	96

ASGCO® Conveyor Safety Equipment

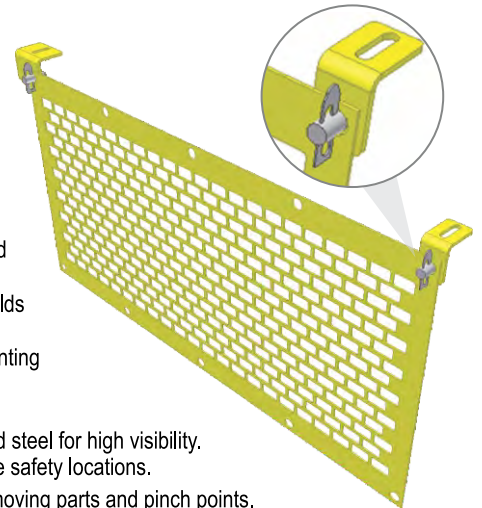
Safe-Guard™ Return Idler Cage

Safe-Guard™ Flat Conveyor Guard

The ASGCO® **Safe-Guard™ Modular Flat Guard** is a modular powder coated all steel guard that is typically mounted to the conveyor steel to guard against moving equipment and protect workers from injury. They are pre-engineered panels that install easily and prevent workers from unauthorized access and away from moving parts and equipment.

Safe-Guard™ Flat Guard		
Part Number	Conveyor Guard Size	Opening Size
ASG-SGF-24X48-1	24"x48" (Standard)	5/8" x 1-5/8"
ASG-SGF-24X60-1	24"x60" (Standard)	5/8" x 1-5/8"
ASG-SGF-30X48-1	30"x48" (Standard)	5/8" x 1-5/8"
ASG-SGF-36X48-1	36"x48" (Standard)	5/8" x 1-5/8"
ASG-SGF-24X48-2	24"x48" (Large)	1" x 2"
ASG-SGF-24X60-2	24"x60" (Large)	1" x 2"
ASG-SGF-30X48-2	30"x48" (Large)	1" x 2"
ASG-SGF-36X48-2	36"x48" (Large)	1" x 2"
ASG-SGF-SC	Single Mounting Bracket	-
ASG-SGF-DC	Double Mounting Bracket	-
ASG-SGF-WCA	½" Kwik Klip	-
ASG-CGH	Handle	-

Shipped with complete mounting kits for quick assembly, the kwik klips hold the guard securely in place and provides for easy removal and installation of the side panels.



Quick and Modular Set-Up

- Available in various standard and custom sizes.
- Drop pin / wedge clamps holds the guard securely.
- Shipped complete with mounting kit for quick assembly.

Effective

- Safety yellow powder coated steel for high visibility.
- Designed for use on multiple safety locations.
- Keeps workers away from moving parts and pinch points.

Compliant

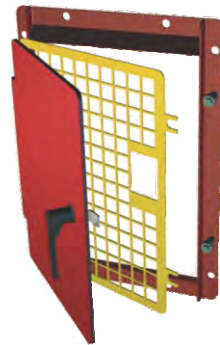
- Meets MSHA, OSHA, and Canadian Safety Standards.

Safe-Guard™ Inspection Door

Chute Inspection and Access Doors are a necessary part of any transfer point to allow for safe inspection and access to maintain conveyor belt cleaning systems.

- **Safety** - inspection screen guard standard on every door for the ability to safely inspect equipment while it is running.
- **Redesigned Frame** - has a 45 degree flange to shed fines from accumulating on the interior of the door.
- **Low Profile Steel Construction** - along with a dual EPDM dust seal that can withstand temperatures from -40 degrees F to 200 degrees F.
- **Available in 3 standard sizes:** 12" x 12", 12" x 18" and 18" x 24".
- **Bolted** - hinged inspection screen.

Add an Inspection Door to your existing head chute for safe access to cleaners and chute clean-out.



45 degree flange on interior of door prevents fines from accumulating.

Safe-Guard™ Inspection Door		
Part Number	Wt. Lbs.	Description
M-ASG-SID-12x12	12	12" x 12" Door
M-ASG-SID-12x18	18	12" x 18" Door
M-ASG-SID-18x24	24	18" x 24" Door

Safe-Guard™ Conveyor Belt Clamps

Safe-Guard™ Conveyor Belt Clamps are patent pending positive tensioning systems that apply even tension across the entire width of the conveyor belt. The center tightening system is key to applying correct, even tension to the belt.

- **Safe** - by applying even tension across the entire width of the conveyor belt prevents the gripping bars from bowing in the center like other conventional belt clamps.
- **Versatile** - clamps and gripping bars can accommodate a variety of belt widths and thicknesses.
- **Constructed** - from heat treated extruded 6061 aluminum, with a diamond plate strip attached to the gripping surface.



Engineered and designed to properly secure a conveyor belt and clamp it for safe conveyor maintenance.

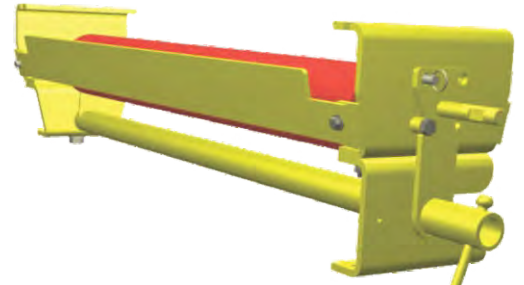
Safe-Guard™ Conveyor Belt Clamps			
Part Number	Belt Width	Part Number	Belt Width
M-ASG-SGBC-CS-24	24"	M-ASG-SGBC-CS-54	54"
M-ASG-SGBC-CS-30	30"	M-ASG-SGBC-CS-60	60"
M-ASG-SGBC-CS-36	36"	M-ASG-SGBC-CS-72	72"
M-ASG-SGBC-CS-42	42"	M-ASG-SGBC-CS-84	84"
M-ASG-SGBC-CS-48	48"	M-ASG-SGBC-CS-96	96"

ASGCO® Conveyor Safety Equipment

Safe-Guard™ Conveyor Return Roll Changer

The patent pending ASGCO® **Return Roll Changer** allows you to remove and replace a roller from a single side of the conveyor and/or from whichever side the catwalk is located.

- **Universal Mounting** - can be mounted on either side of the conveyor.
- **One Side Return Roller Access** - allows removal and replacement from a single side of a conveyor.
- **Pinch Point Protection** - to prevent injuries.
- **Reduces Maintenance Time** - for roller replacement.
- **Eliminates Need for High Lift Equipment.**
- **All Steel Construction** - industrial grade powder coated finish.
- **Can Be Customized** - to fit any manufacturer's roller.



Safe-Guard™ Return Roll Changer			
Part Number	Belt Width	Part Number	Belt Width
ASG-RRC-24-(XX)	24	ASG-RRC-54-(XX)	54
ASG-RRC-24-(XX)	30	ASG-RRC-60-(XX)	60
ASG-RRC-36-(XX)	36	ASG-RRC-36-(XX)	72
ASG-RRC-42-(XX)	42	ASG-RRC-42-(XX)	84
ASG-RRC-48-(XX)	48	ASG-RRC-48-(XX)	96

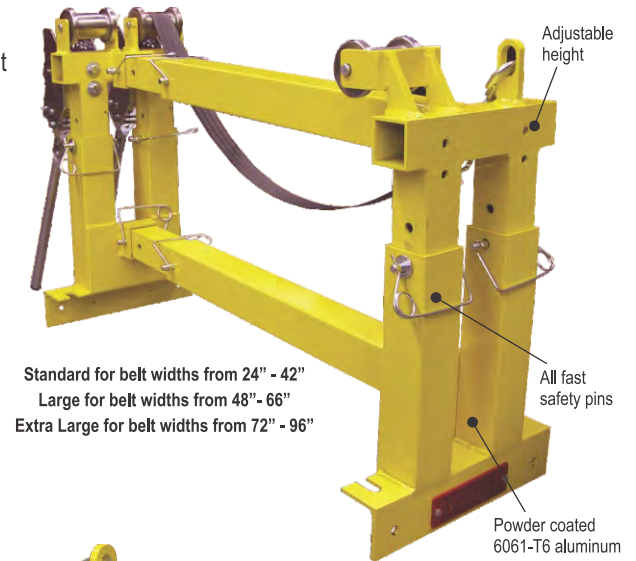
(XX)=1.5 or 4.5 (drop Bracket Height)

NOTE: We need the idler manufacturer and part number at time of order.

Safe-Guard™ Belt Lifter

The "**Belt Lifter**" is designed and built for the highest safety rating available. This device is designed to lift a tensioned trough or return side of a conveyor belt to be able to remove and install idlers on the conveyor system safely.

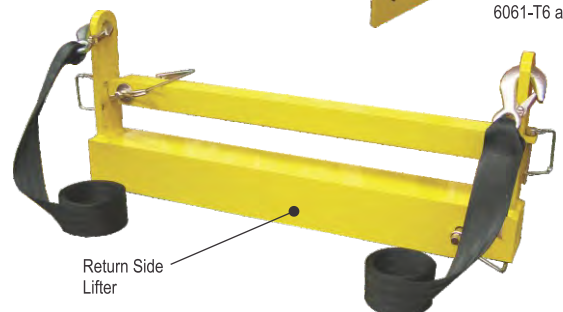
- **Safe Design** - allows workers to safely remove / install both trough and return side idlers without the weight of tensioned conveyor belt.
- **Effective and versatile** - manufactured from lightweight 6061-T6 aircraft grade aluminum and versatile mounting allows one model to accommodate several standard CEMA and common underground conveyor structure and idler types.
- **Safely Lift Conveyor Belts** - under tension from flat to trough belts up to 45 and belts for flat and v-returns idlers.
- **Highest Safe Vertical Lift Rating** - 1800 lb for Standard (S), 2500 lb for Heavy (H) duty models and 3000 lb for Heavy Duty (HD) models.



Safe-Guard™ Belt Lifter			
Part Number	Aluminum Lifter	Belt Width	Slings Rate Capacity
M-ASG-SGBL-S	Standard	24"- 42"	5000 lbs/2268 kg
M-ASG-SGBL-H	Large	48"- 66"	5000 lbs/2268 kg
M-ASG-SGBL-HD	X Large	72"- 96"	5000 lbs/2268 kg

* DO NOT EXCEED SAFE LIFTING CAPACITY OF 5000LBS/2268kg

** INSPECT ALL SLINGS PRIOR TO USE



ASGCO® Conveyor Safety Equipment

Work Safe!

ASGCO® has long recognized the importance of ensuring safety in the workplace. The safety of your workers is as important to us as it is to you. Our Safe-Guard line of conveyor safety products are specifically designed to help prevent on-the-job injuries.

Workers Compensation injuries from conveyors account for 25% of all claims and up to 35% of all associated costs. These injuries can be severe and can result in high fines from OSHA/MSHA therefore, your company cannot afford to ignore conveyor safety and must actively find ways to minimize the hazards associated with conveyors.

Guards that meet OSHA/MSHA standards for conveyor moving parts, pinch points and overhead hazards should be installed so that possible injuries are prevented or reduced.

Because we specialize in conveyors, we have solutions to all of your guarding issues. Being proactive in reducing hazards will help your company in controlling costs.

Typical Conveyor Hazard Points

- Power transmissions
- Areas under counterweights
- Nip points
- Transfer counterweights
- Shear points
- Transfer mechanisms
- Pinch points
- Passage areas under conveyor
- Spill points
- Under special circumstances

All exposed, moving parts of a conveyor which present a hazard to employees at their workstation should be mechanically or electrically guarded or guarded by position or location. Ease of access or approach to conveying equipment is essential to assure proper and continuous usage.

MSHA Rules

MSHA's Guide to Equipment Guarding
U.S. Department of Labor Mine Safety and Health Administration
Other Training Material OT 3 Revised 2004

The reason for guarding return idlers is shown in Figure 4. Return idlers should be guarded wherever miners could contact them. Guarding return idlers may be required where miners work or travel beneath the belt.

56/57.14107

(a) Moving machine parts shall be guarded to protect persons from contacting gears, sprockets, chains, drive, head, tail and take-up pulleys, flywheels, couplings, shafts, fan blades and similar moving parts that can cause injury.

(b) Guards shall not be required where the exposed moving parts are at least seven feet away from walking or working surfaces.



Figure 4

Customer Service
800-344-4000 or
610-821-0216



© 07/2012 ASGCO Manufacturing Co., Inc.

ASGCO®
Complete Conveyor Solutions
www.asgco.com

301 Gordon Street
Allentown, PA 18102
610-821-0216
FAX 610-778-8991